

PARTS LIST

ITEM	PART #	DESCRIPTION	NOTES
1	K2021/4035	Narrow Body w/ 6in Radius Corners	Assembly
2	K2086/95/4250	Tension Frame II & Bleed Cover w/ 6in Radius Corners & Covers	Assembly
10	5170	Hinge Screw	Drill 3/8" pilot hole
11	5180	Closure Screw	Drill 5/16" pilot hole

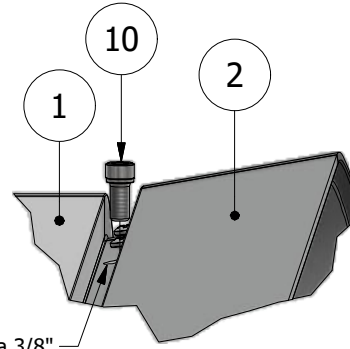
NOTE: PRE-CUT KITS ARE NOT PRE-DRILLED.

(Holes shown in this drawing are for reference only. Drilling of pilot holes are to be done by fabricator.)

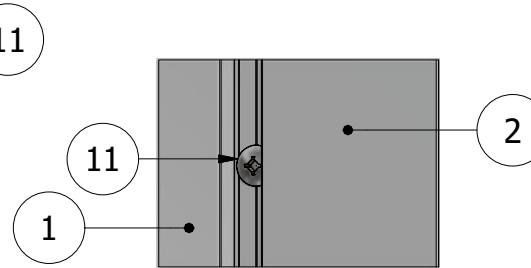
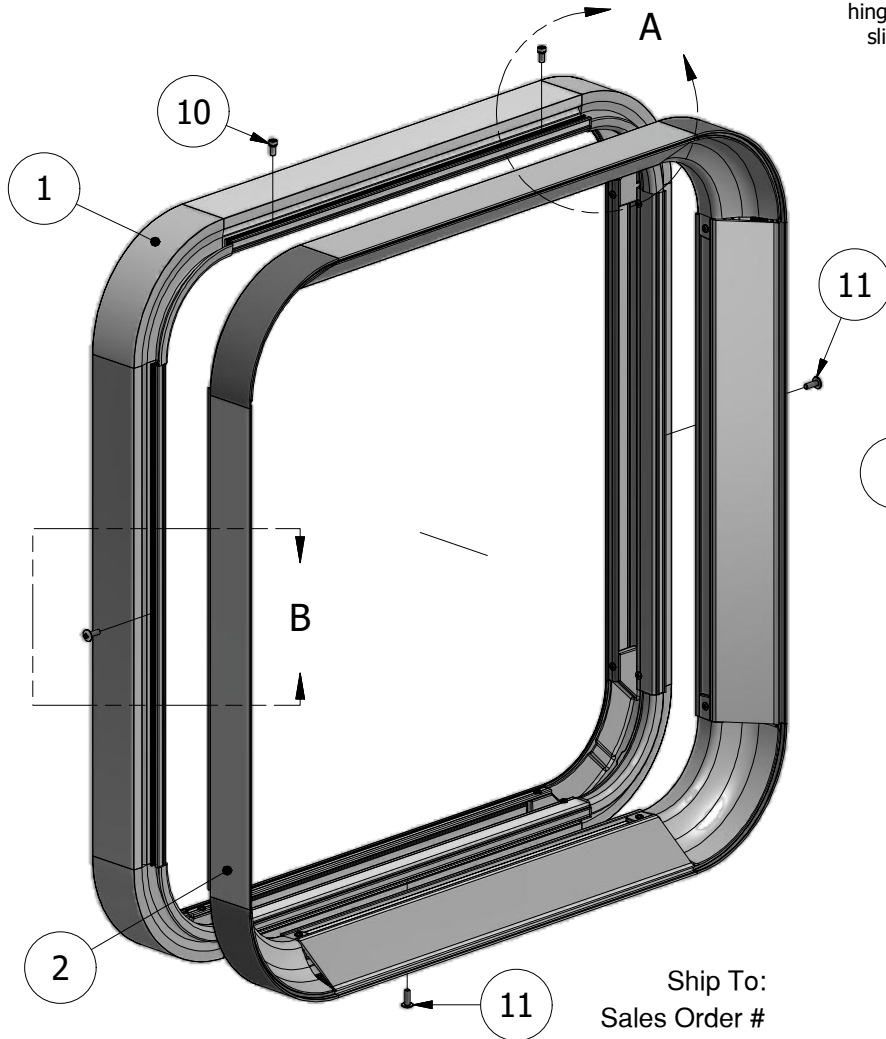
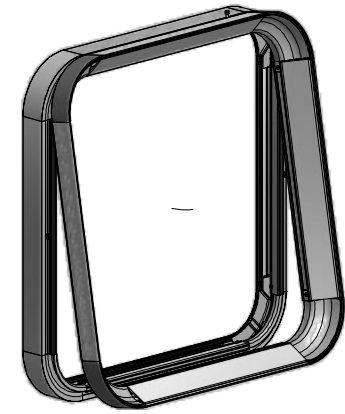
***NOTE:** Drill a 3/8" oversized hole for the head of the hinge screw to slip through.

***NOTE:** IT IS RECOMMENDED THAT THE FRAME BE ASSEMBLED ON THE BODY, THEN RATCHET STRAPPED TO CHECK FOR SQUARE, BEFORE THE FRAME IS WELDED OR MECHANICALLY FASTENED.

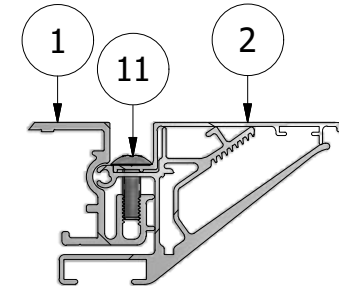
Ship To:
Sales Order #



DETAIL A

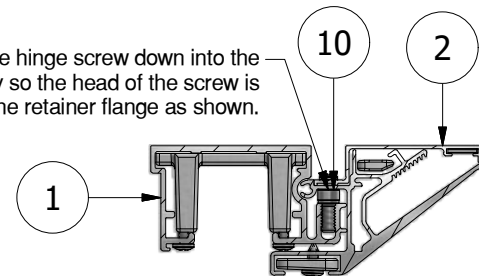


DETAIL B
FRAME CLOSED



DETAIL B
CROSS-SECTION

Drive the hinge screw down into the body so the head of the screw is under the retainer flange as shown.



TOP CROSS-SECTION

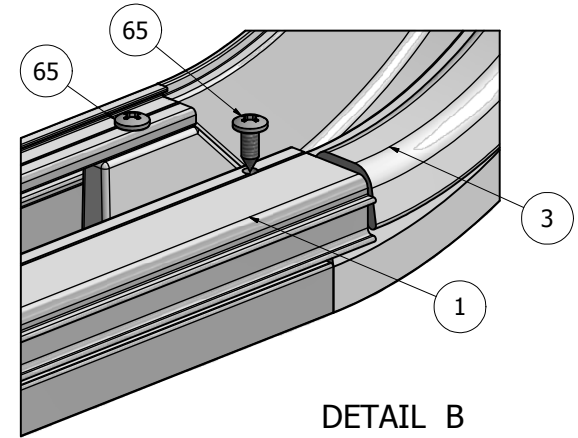
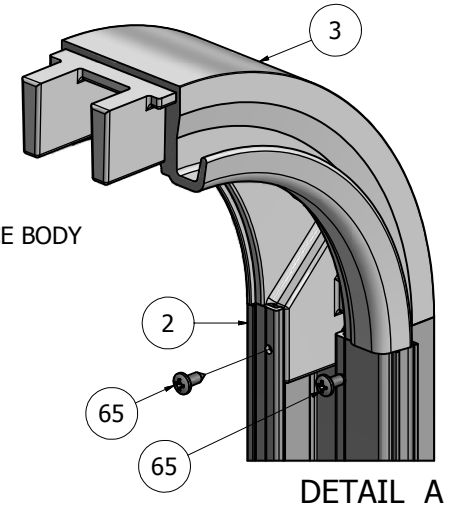
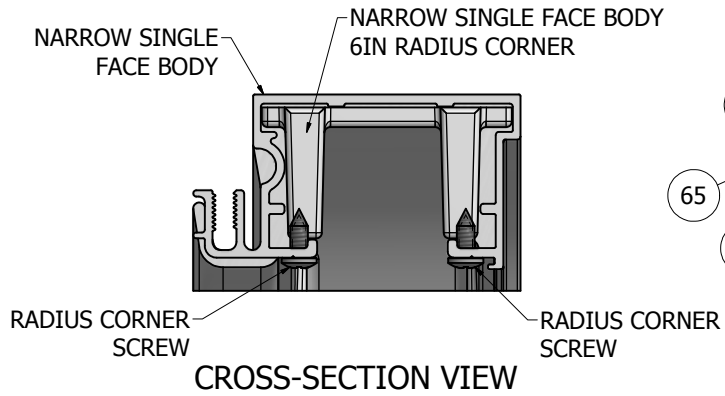
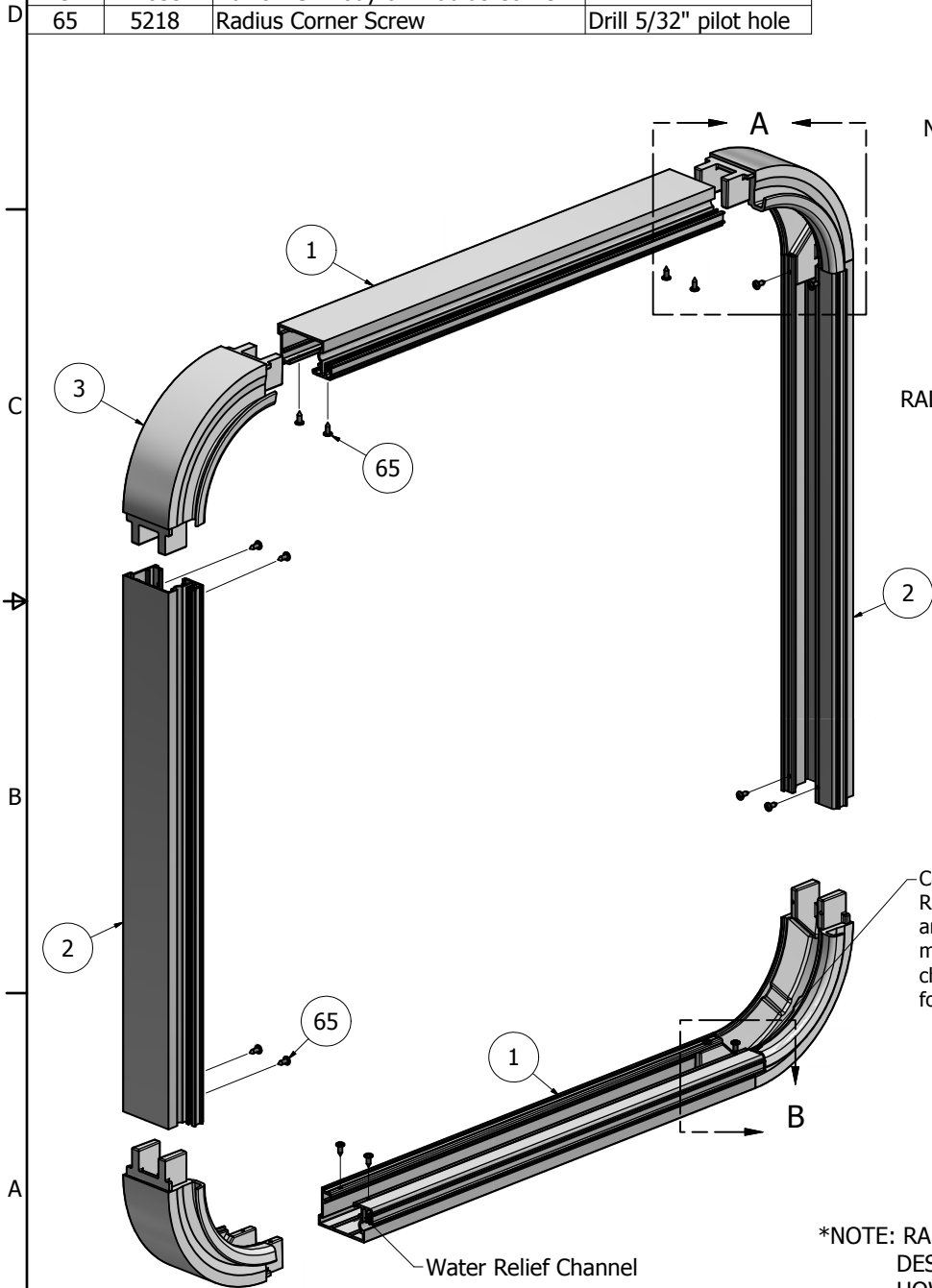
THIS DRAWING WAS CREATED AT NO CHARGE TO ASSIST YOU IN VISUALIZING OUR PROPOSAL. THE DRAWING HEREIN IS THE PROPERTY OF SIGNCOMP. PERMISSION TO COPY OR REVISE THIS DRAWING OR TO USE THIS DRAWING FOR PRODUCTION IS STRICTLY PROHIBITED AND CAN ONLY BE COPIED, REVISED OR USED FOR PRODUCTION WITH THE EXPRESSED WRITTEN PERMISSION OF SIGNCOMP.

Project Name:	Narrow Body w/ Tension Frm II & Bleed Cvr-6" Rad. Corners
Sign Company:	K2021/86/95/4488
Part #:	
Revision:	
Date:	5/24/2019
Sheet:	1 of 1
Size:	A
Drawing By:	SBreihof

SignComp

PARTS LIST			
ITEM	PART#	DESCRIPTION	NOTES
1	2021	Narrow Single Face Body	Top & Bottom
2	2021	Narrow Single Face Body	Sides
3	4035	Narrow SF Body 6in Radius Corner	
65	5218	Radius Corner Screw	Drill 5/32" pilot hole

Ship To:
Sales Order#



NOTE: PRE-CUT KITS ARE NOT PRE-DRILLED.
(Holes shown in this drawing are for reference only.
Drilling of pilot holes are to be done by fabricator.)

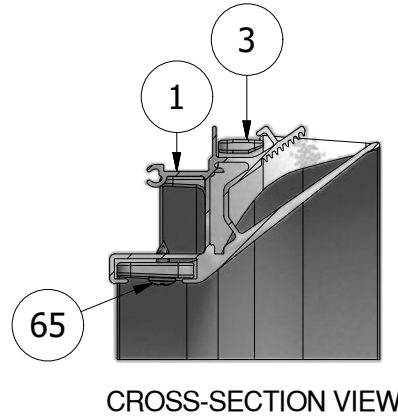
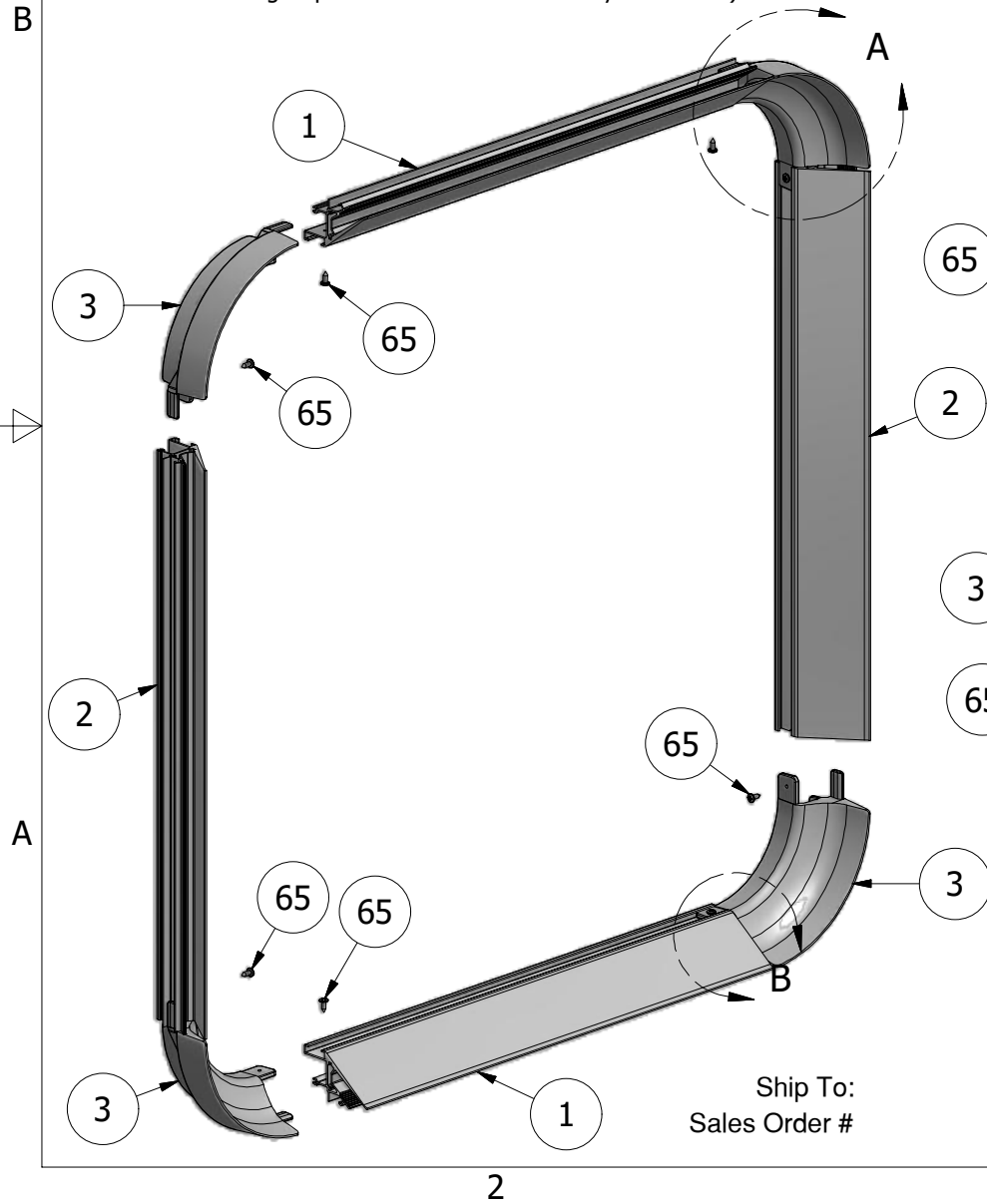
*NOTE: RADIUS CORNERS ARE DESIGNED TO BE WELDED, HOWEVER CAN ALSO BE MECHANICALLY ASSEMBLED.

THIS DRAWING WAS CREATED AT NO CHARGE TO ASSIST YOU IN VISUALIZING OUR PROPOSAL. THE DRAWING HEREIN IS THE PROPERTY OF SIGNCOMP. PERMISSION TO COPY OR REVISE THIS DRAWING OR TO USE THIS DRAWING FOR PRODUCTION IS STRICTLY PROHIBITED AND CAN ONLY BE COPIED, REVISED OR USED FOR PRODUCTION WITH THE EXPRESSED WRITTEN PERMISSION OF SIGNCOMP.		
DRAWING BY:	SBreihof	4/2/2014
Centroid X:	0.000 in	
Centroid Y:	0.000 in	
Principal Moments Ix:	0.000 in ⁴	
Principal Moments Iy:	0.000 in ⁴	
Section Modulus Ix:	0.000 in ³	
Section Modulus Iy:	0.000 in ³	
SignComp		TITLE
Narrow Single Face Body w/ 6in Radius Corners - Assembly		REV
PART NO		REV
K2021-4035		
SHEET 1 OF 1		

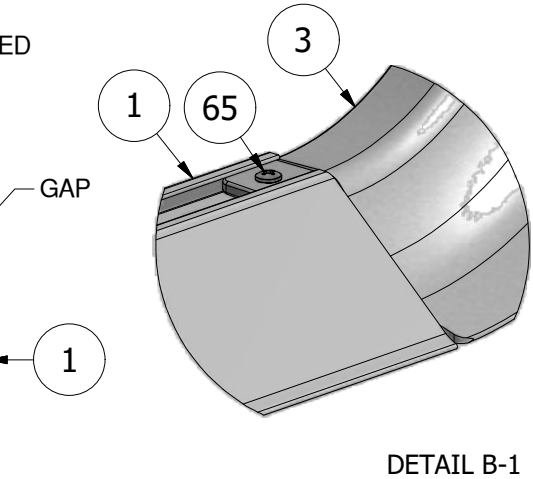
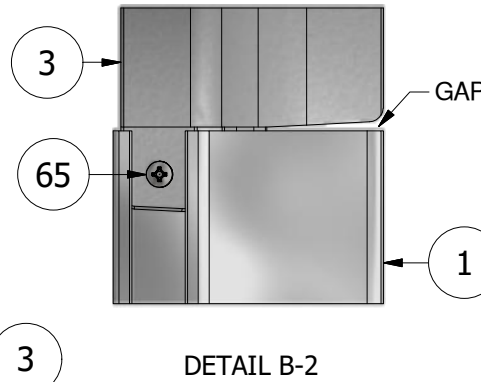
PARTS LIST			
ITEM	PART #	DESCRIPTION	NOTES
1	2086	Tension Frame II	Top & Bottom
2	2086	Tension Frame II	Sides
3	4255	6in Tension Frame II Radius Corner	All 4 Corners
65	5218	Radius Corner Screw	Drill 5/32" pilot hole

NOTE: PRE-CUT KITS ARE NOT PRE-DRILLED.

(Holes shown in this drawing are for reference only.
Drilling of pilot holes are to be done by fabricator.)



***NOTE: GAPS ARE REQUIRED FOR PROPER ASSEMBLY.**



***NOTE: IT IS RECOMMENDED THAT THE FRAME BE ASSEMBLED ON THE BODY, THEN RATCHET STRAPPED TO CHECK FOR SQUARE, BEFORE THE FRAME IS WELDED OR MECHANICALLY FASTENED.**

THIS DRAWING WAS CREATED AT NO CHARGE TO ASSIST YOU IN VISUALIZING OUR PROPOSAL. THE DRAWING HEREIN IS THE PROPERTY OF SIGNCOMP. PERMISSION TO COPY OR REVISE THIS DRAWING OR TO USE THIS DRAWING FOR PRODUCTION IS STRICTLY PROHIBITED AND CAN ONLY BE COPIED, REVISED OR USED FOR PRODUCTION WITH THE EXPRESSED WRITTEN PERMISSION OF SIGNCOMP.

Project Name: Tension Frame II with 6" Rad. Corners - Assembly

Sign Company: K2086-4255

Part #:

Revision:

Date: 5/14/2019

Drawing By: SBreihof

Sheet: 1 of 1

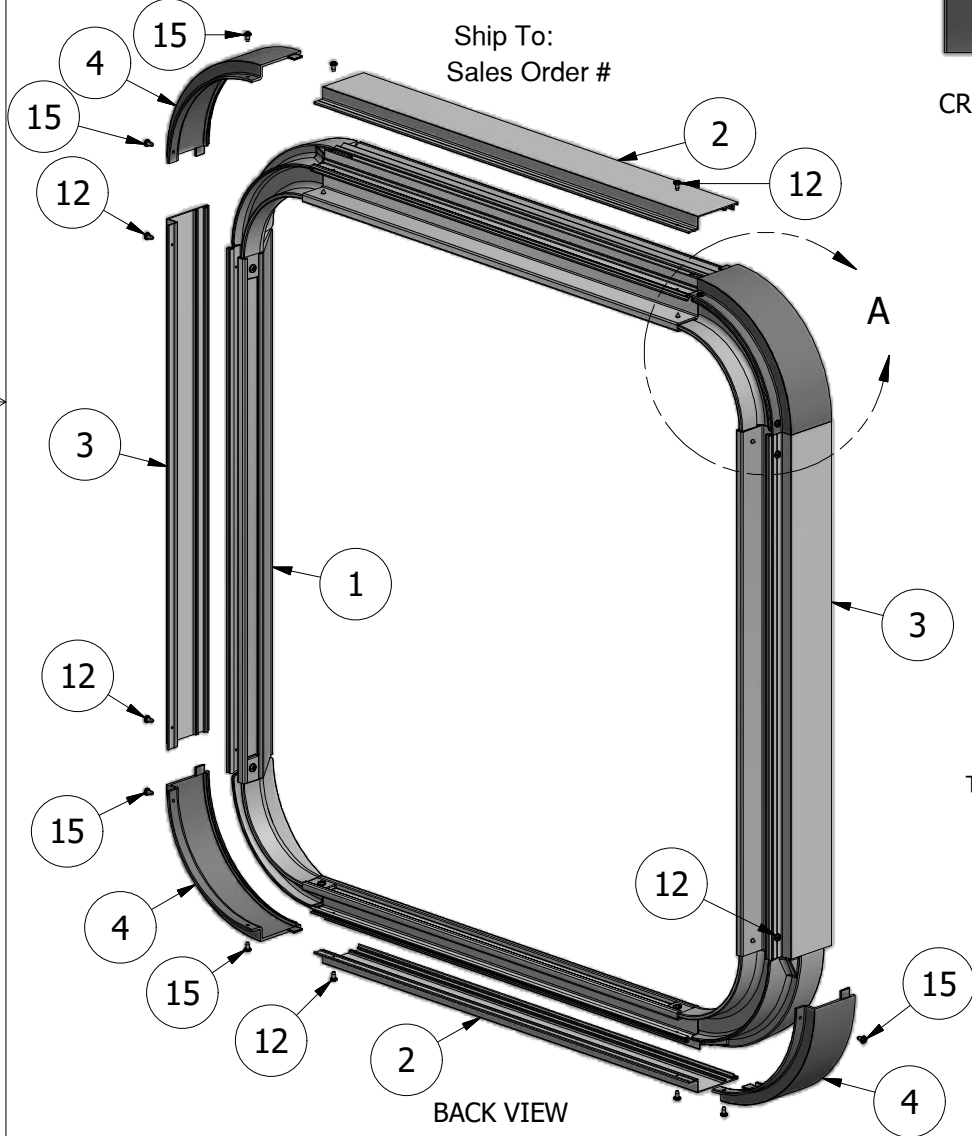
Size: A

SignComp

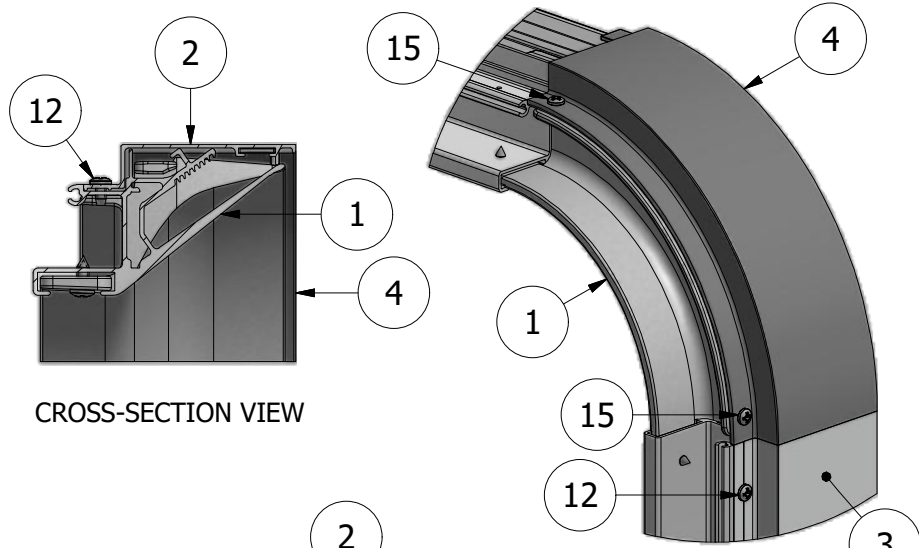
PARTS LIST

ITEM	PART #	DESCRIPTION	NOTES
1	K2086/4255	Tension Frame II w/ 6in Radius Corners	Assembly
2	2095	Bleed Tension Frame Cover	Top & Bottom
3	2095	Bleed Tension Frame Cover	Sides
4	4265P	6in Bleed Tension Frame Radius Cover	
12	5195	Cover Screw	Pre-drill 3/32" hole
15	5195	Radius Corner Cover Screw	Pre-drill 3/32" hole

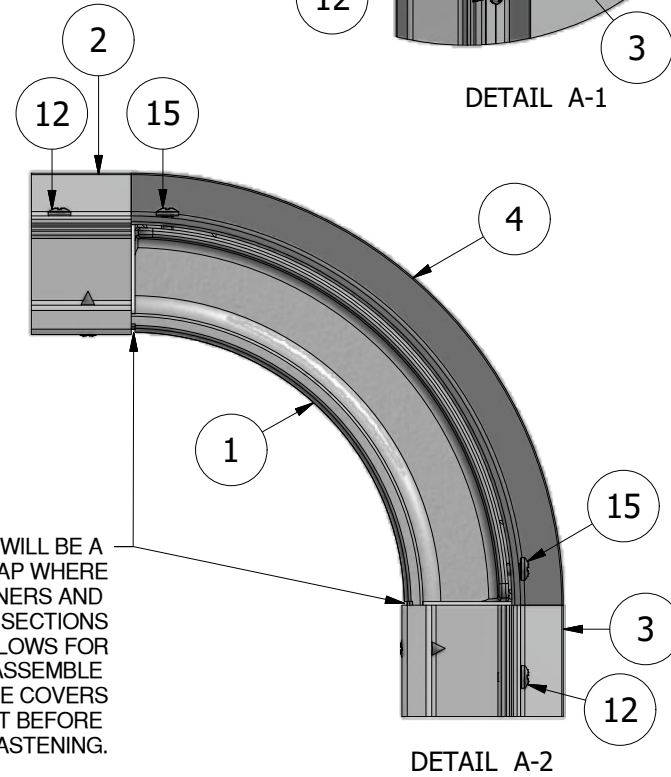
Ship To:
Sales Order #



BACK VIEW



CROSS-SECTION VIEW



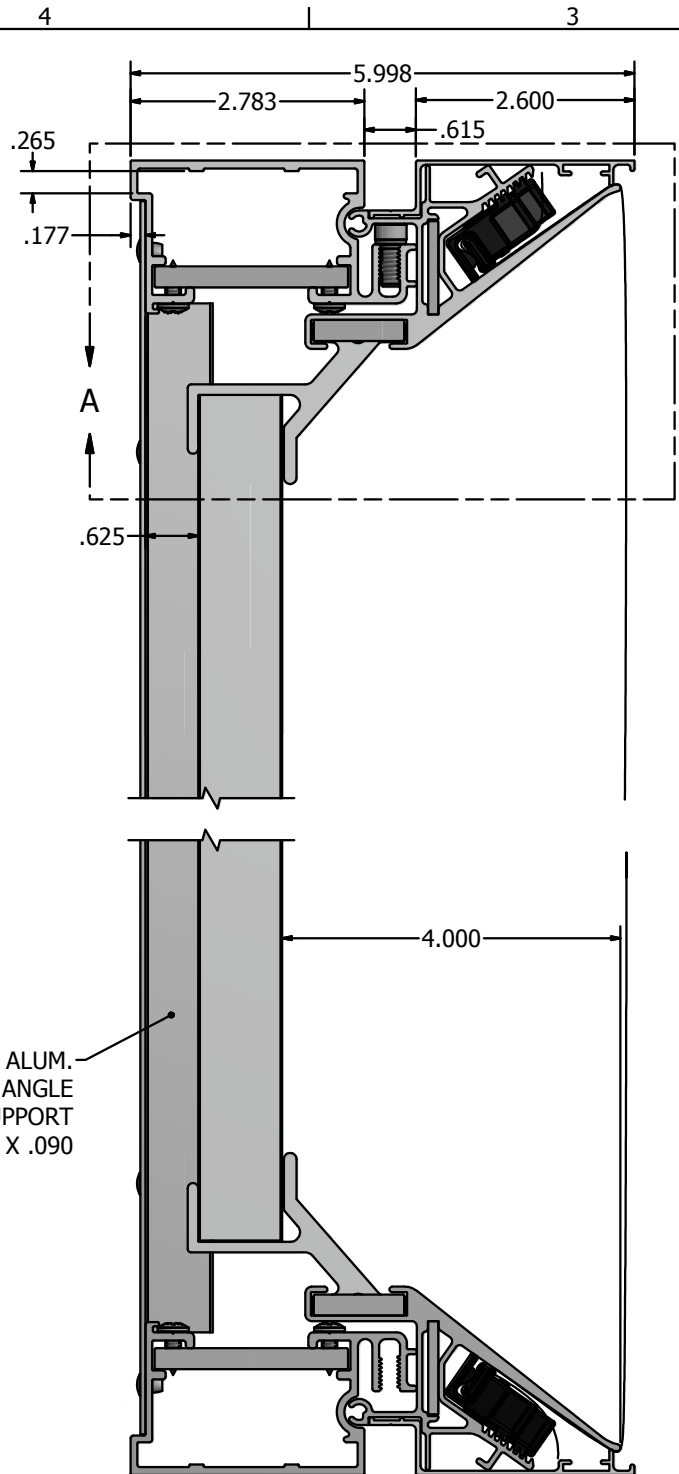
DETAIL A-2

***NOTE:** THERE WILL BE A CONSISTANT GAP WHERE THE RADIUS CORNERS AND TENSION FRAME SECTIONS MEET. THIS ALLOWS FOR THE FRAME TO ASSEMBLE SQUARE AND THE COVERS TO FIT TIGHT BEFORE FASTENING.

NOTE: PRE-CUT KITS ARE NOT PRE-DRILLED.
(Holes shown in this drawing are for reference only.
Drilling of pilot holes are to be done by fabricator.)

THIS DRAWING WAS CREATED AT NO CHARGE TO ASSIST YOU IN VISUALIZING OUR PROPOSAL. THE DRAWING HEREIN IS THE PROPERTY OF SIGNCOMP. PERMISSION TO COPY OR REVISE THIS DRAWING OR TO USE THIS DRAWING FOR PRODUCTION IS STRICTLY PROHIBITED AND CAN ONLY BE COPIED, REVISED OR USED FOR PRODUCTION WITH THE EXPRESSED WRITTEN PERMISSION OF SIGNCOMP.

SignComp	Project Name: Tension Frame II and Bleed Cover - 6" Rad. Covers - Assembly	Sheet: 1 of 1	Size: A
	Sign Company: K2086-95-4265P	Date: 5/14/2019	Drawing By: SBreihof

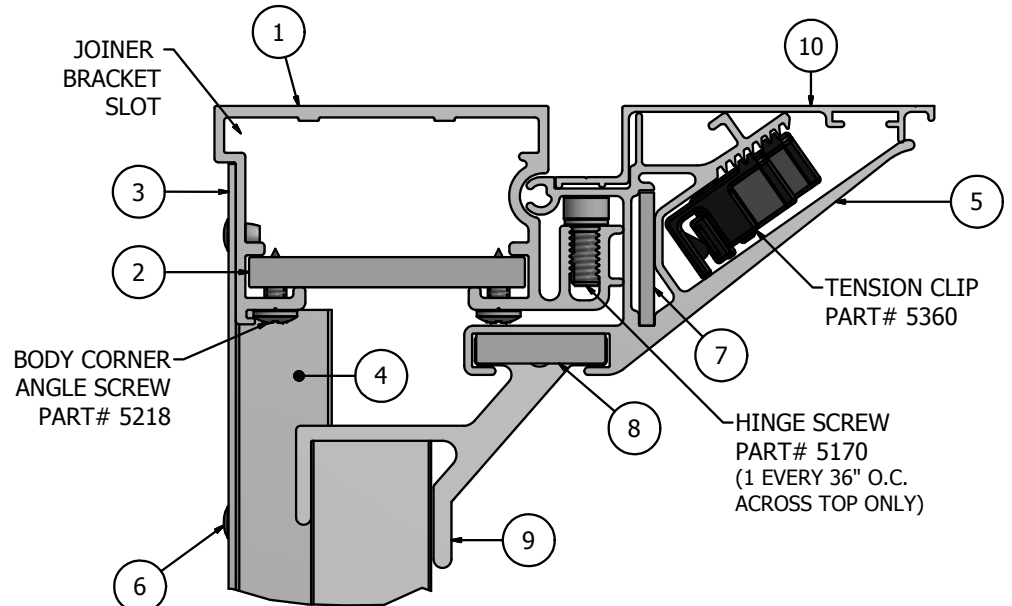


BRAKE FORM ALUM.
OR STOCK ANGLE
BACK SUPPORT
3/4" X .090

NOTE: FRAME BRACING GUIDELINES APPLY FOR BOTH THE BLEED AND FRAMED COVERS.

NOTE: THE NARROW SINGLE FACE BODY IS DESIGNED FOR LED APPLICATION.

PARTS LIST		
ITEM	PART#	DESCRIPTION
1	2021	Narrow Single Face Body
2	5321	Narrow Body Corner Angle
3		Aluminum Back
4		Aluminum Back Support - Frame Support Tube #2175
5	2086	Tension Frame II
6		Rivet
7	5210	Corner Key
8	5305	Frame Corner Angle
9	5352	Small Frame Brace
10	2095	Bleed Tension Frame Cover
11	2177	Small Frame Support Tube - 1"

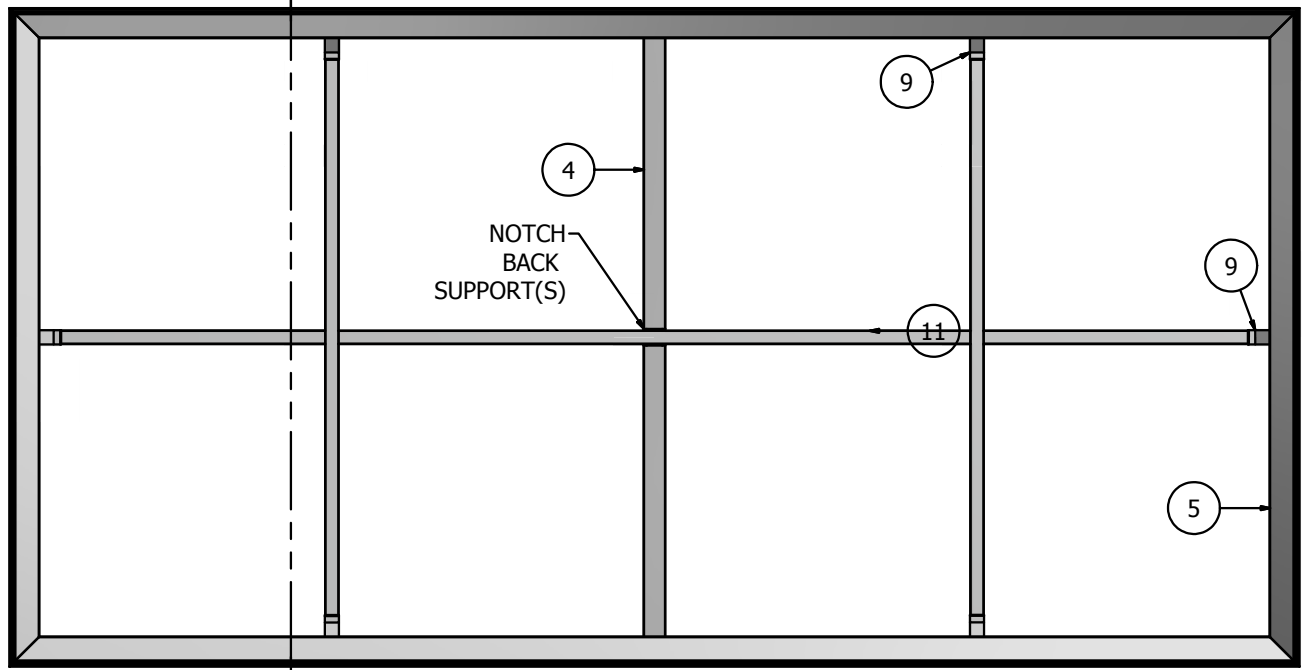


DETAIL A

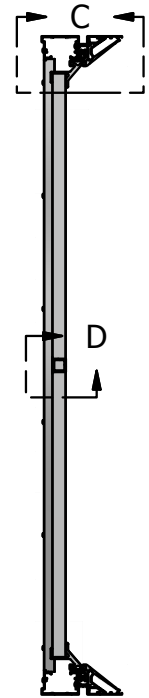
NOTE: PRE-CUT KITS ARE NOT PRE-DRILLED.
(Holes shown in this drawing are for reference only. Drilling of pilot holes are to be done by fabricator.)

THIS DRAWING WAS CREATED AT NO CHARGE TO ASSIST YOU IN VISUALIZING OUR PROPOSAL. THE DRAWING HEREIN IS THE PROPERTY OF SIGNCOMP. PERMISSION TO COPY OR REVISE THIS DRAWING OR TO USE THIS DRAWING FOR PRODUCTION IS STRICTLY PROHIBITED AND CAN ONLY BE COPIED, REVISED OR USED FOR PRODUCTION WITH THE EXPRESSED WRITTEN PERMISSION OF SIGNCOMP.

DRAWING BY:	SBreihof	6/11/2014	SignComp
Centroid X:	0.000 in	Centroid Y:	
Principal Moments Ix:	0.000 in ⁴	Principal Moments Iy:	0.000 in ⁴
Section Modulus Ix:	0.000 in ³	Section Modulus Iy:	0.000 in ³
TITLE			Narrow Single Face Body w/ Tension Frame II and Bleed Cover - Cross Sectional Details
PART NO			
SHEET 1 OF 2			REV



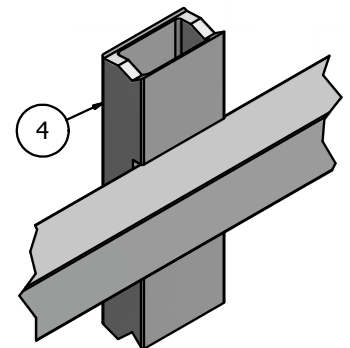
FRONT VIEW



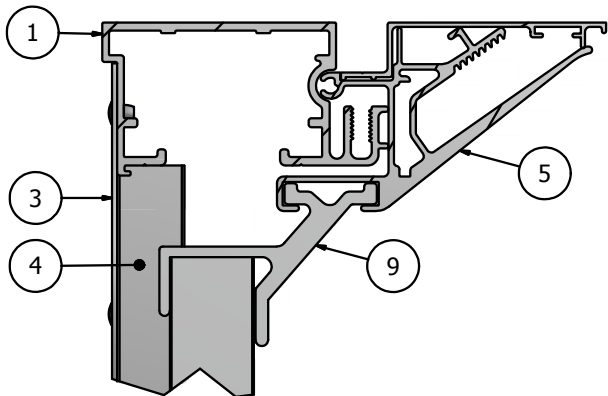
SECTION B-B

NOTE: NOTCHING IS BASED ON THE USE OF SIGNCOMP #2175 FRAME SUPPORT TUBE FOR BACK SUPPORT OR A BRAKE FORMED ALUMINUM SUPPORT 2" x 3/4" x .090, AND 1" SQ TUBE FOR COMPRESSION BRACING.

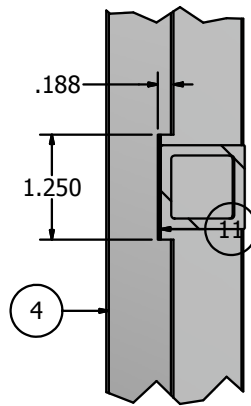
NOTE: NOTCH THE BACK SUPPORT(S) AS SHOWN, TO ACCOMMODATE THE HORIZONTAL FRAME SUPPORT(S). DIMENSIONS MAY VARY PENDING ON THE SIZE OF SUPPORTS USED.



DETAIL D



DETAIL C



DETAIL D

THIS DRAWING WAS CREATED AT NO CHARGE TO ASSIST YOU IN VISUALIZING OUR PROPOSAL. THE DRAWING HEREIN IS THE PROPERTY OF SIGNCOMP. PERMISSION TO COPY OR REVISE THIS DRAWING OR TO USE THIS DRAWING FOR PRODUCTION IS STRICTLY PROHIBITED AND CAN ONLY BE COPIED, REVISED OR USED FOR PRODUCTION WITH THE EXPRESSED WRITTEN PERMISSION OF SIGNCOMP.

DRAWING BY:	SBreihof	6/11/2014
Centroid X:	0.000 in	
Centroid Y:	0.000 in	
Principal Moments Ix:	0.000 in ⁴	
Principal Moments Iy:	0.000 in ⁴	
Section Modulus Ix:	0.000 in ³	
Section Modulus Iy:	0.000 in ³	

<h1 style="text-align: center;">SignComp</h1>	
<p style="text-align: center;">PART NO</p> <p style="text-align: center;">2021-86-95 with 5352</p>	<p style="text-align: center;">REV</p>
<p>SHEET 2 OF 2</p>	